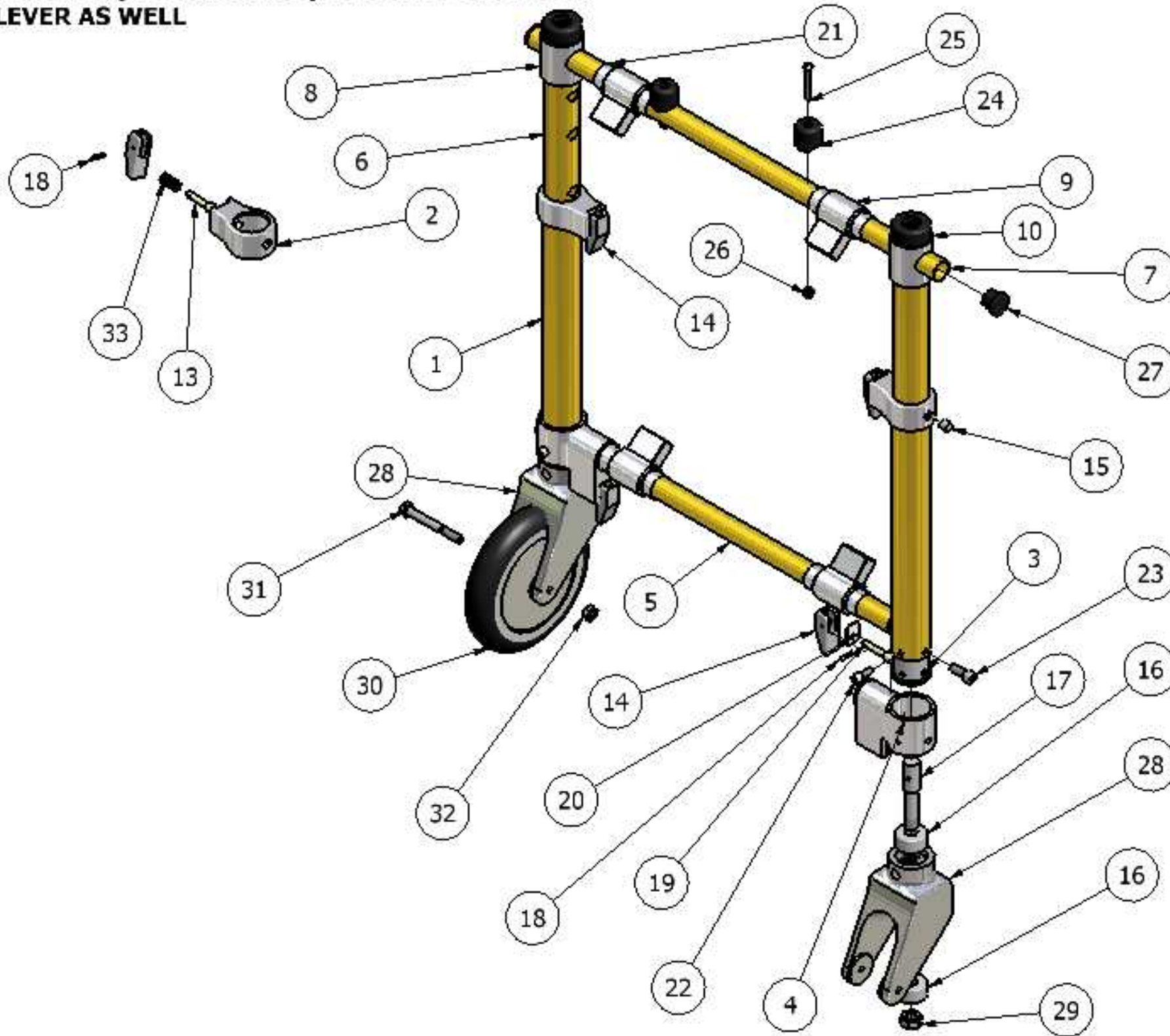


**NOTE-ITEM #33(LEVER SPRING) IS SAME FOR CASTER
LEVER AS WELL**



END FRAME ASSY BILL OF MATERIALS (Pg 1)

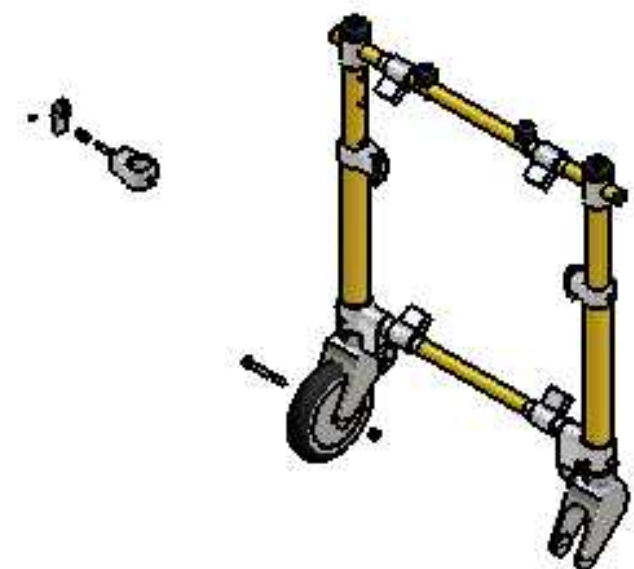
DATE
5/17/06

MATERIAL

Parts List				Parts List			
ITE	QTY	PART NUMBER	DESCRIPTION	ITE	QTY	PART NUMBER	DESCRIPTION
1	2	CH-309	OUTER TUBE	18	4	CH-333	1/8 x 5/8 Groove Pin Type C
2	3	CH-302	TUBE END CASTING	19	2	CH-318	CASTER LOCKING PIN
3	2	CH-320	SWIVEL BASE PLUG	20	4	CH-348	NYLON LEVER GLIDE
4	2	CH-303	SWIVEL BASE	21	8	CH-321	RING
5	1	CH-311	CROSSBAR-LOWER	22	2	CH-349	1/4-20 x 5/8 Socket Hd Cap Screw
6	2	CH-308	INNER TUBE	23	2	CH-344	5/16/18 x 3/4 Socket Head Cap Screw
7	1	CH-312	CROSSBAR UPPER	24	2	CH-346	RECESS BUMPER-SMALL
8	2	CH-306	TUBE CAP CASTING	25	2	CH-338	10-24 x 1-1/2 Phiips Round Hd Screw
9	4	CH-305	SLEEVE HINGE	26	2	CH-350	10-24 Hex Nut Locking
10	2	CH-325	RUBBER BUMPER- LARGE	27	2	CH-313	UPPER BAR END CAP
11	2	CH-327	1/4-20 x 5/8 Phillips Pan Hd Screw	28	2	CH-307	CASTER
13	2	CH-317	ELEVATING PIN	29	2	CH-340	1/4-20 Hex Jam Nut
14	4	CH-304	LEVER	30	2	CH-315	WHEEL
15	2	CH-316	SECURING PIN	31	2	CH-330	5/16-18 X 2-1/2 Hex Hd Machine Screw
16	4	CH-322-XXX SEE BELOW	BEARING	32	2	CH-324	5/16-18 Thin Jam Nylon Nut
17	2	CH-319	SWIVEL SHAFT	33	4	CH-335	COMPRESSION SPRING

PT# CH-322-XXX WHERE "XXX" REPRESENTS
BEARING OUTSIDE DIAMETER

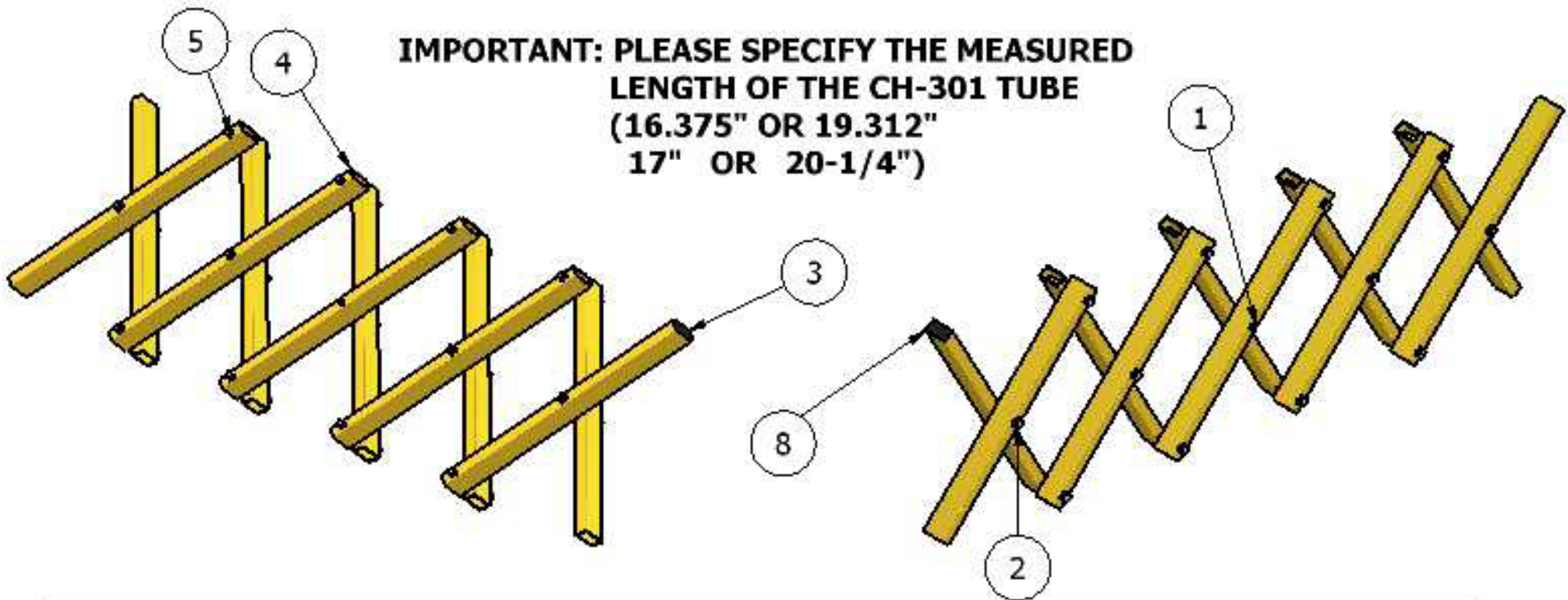
EXAMPLES: CH-322-1.375
CH-322-1.270
CH-322-1.250
CH-322-1.222



END FRAME ASSY (Pg 2)

DATE
9/22/08

MATERIAL



IMPORTANT: PLEASE SPECIFY THE MEASURED LENGTH OF THE CH-301 TUBE (16.375" OR 19.312" 17" OR 20-1/4")

Parts List			
ITEM	QTY	PART NUMBER	DESCRIPTION
1	26	CH-328	.312 BRASS WASHER
2	12	CH-310	SHOULDER BOLT
3	4	CH-301S TWO HOLES 16.375" OR 19.312" LONG	RECTANGULAR TUBE-SHORT
4	6	CH-301L THREE HOLES 17" OR 20-1/4" LONG	RECTANGULAR TUBE-LONG
5	12	CH-339	.250 WASHER
6	12	CH-334	1/4-28 LOW CROWN ACORN NUT
7	2	CH-343	GUSSETT
8	16	CH-314	Rectangular End Cap

DRAWN BY:
DM

PT #	CH-300 RACK ASSEMBLY	
DATE	5/25/06	MATERIAL