

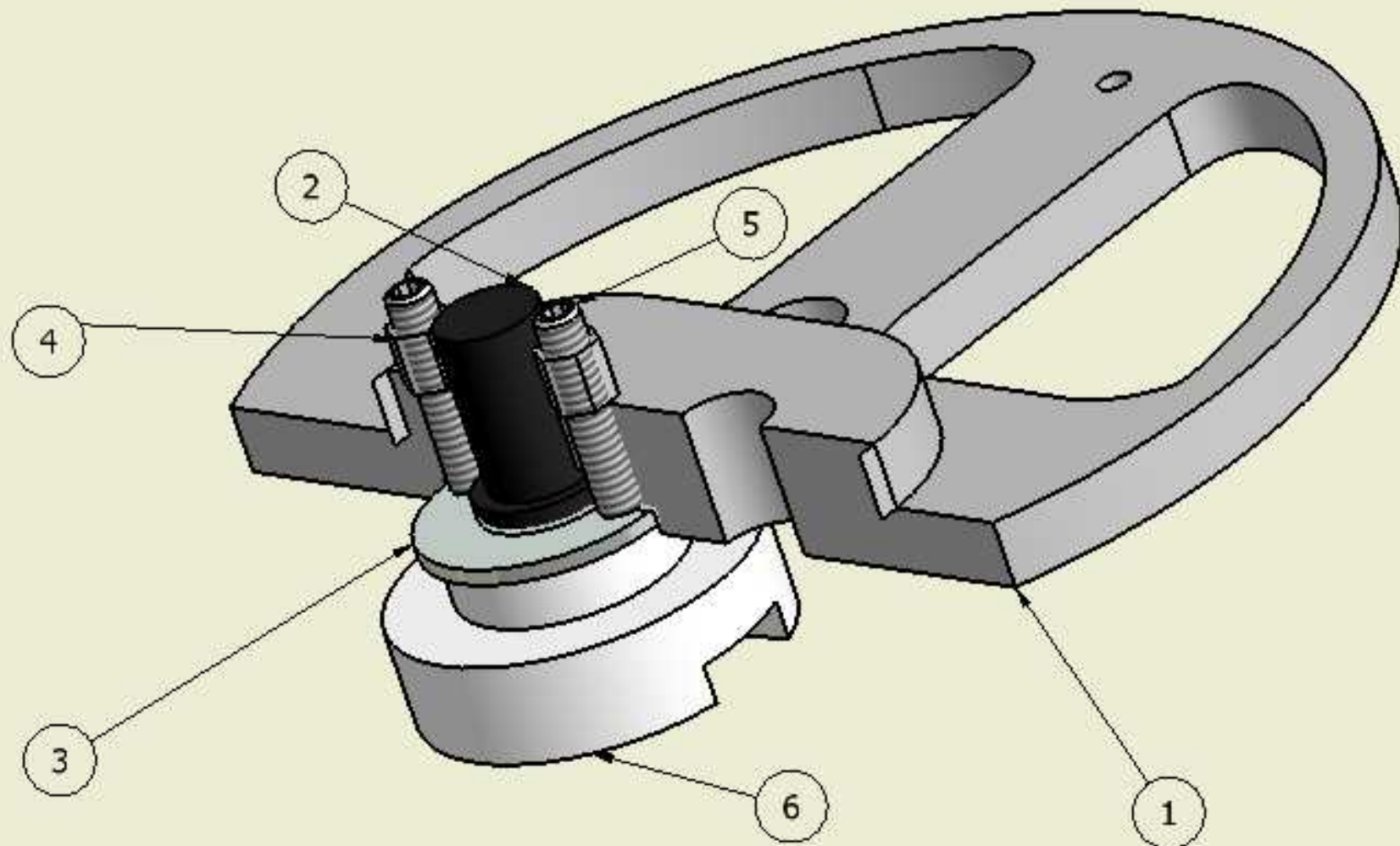
| Parts List | |
|------------|----------------------------|
| ITEM | DESCRIPTION |
| 1 | SPIDER PLATE |
| 2 | BUTTON |
| 3 | BRAKE PLATE WASHER |
| 4 | LOCKING NUT |
| 5 | 1/4-20 ADJUSTING SET SCREW |
| 6 | BRAKE PLATE |

STEP #1 LOOSEN #4(LOCKING NUT) WITH A 5/32 WRENCH

STEP #2 SCREW BOTH OF #5(ADJUSTING SCREW) DOWN UNTIL IT STOPS USING A 1/8 ALLEN WRENCH.

STEP #3 BACKOFF BOTH #5's EQUALLY UNTIL SHAFT TURNS SMOOTH WITHOUT KNOCKING.

STEP #4 WITH ALLEN WRENCH IN PLACE TIGHTEN LOCKING NUTS



DRAWN BY:

DM

PT #

ADJUSTMENT DESCRIPTION

DATE

5/12/10

MATERIAL